



EC SERIES STRAIGHT CENTRIFUGAL PUMPS



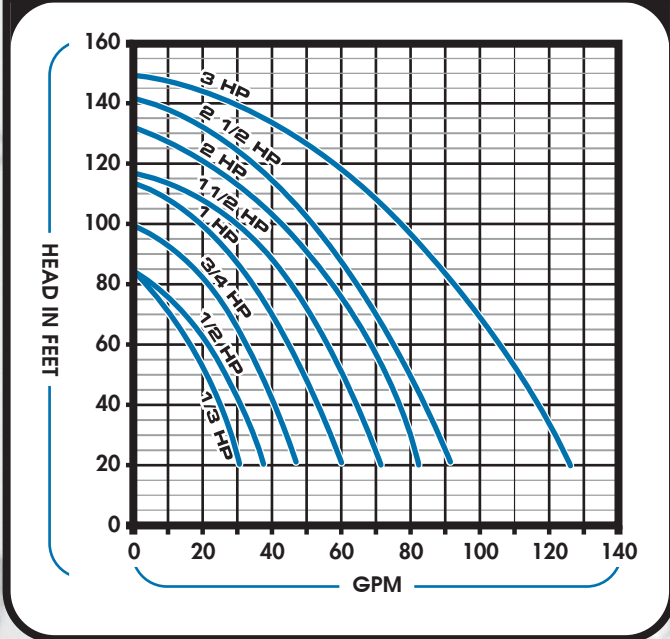
QUALITY FEATURES

- U/L & CSA APPROVED HEAVY DUTY MOTORS
- US MADE RUGGED CAST IRON & 4 POSITION DISCHARGE
- PRECISION MOLDED IMPELLERS FOR HIGHEST EFFICIENCY & LONGEVITY
- MECHANICAL SEAL
- VERTICAL OR HORIZONTAL INSTALLATION
- O-RING HOUSING SEAL FOR POSITIVE SEALING & EASE OF SERVICE

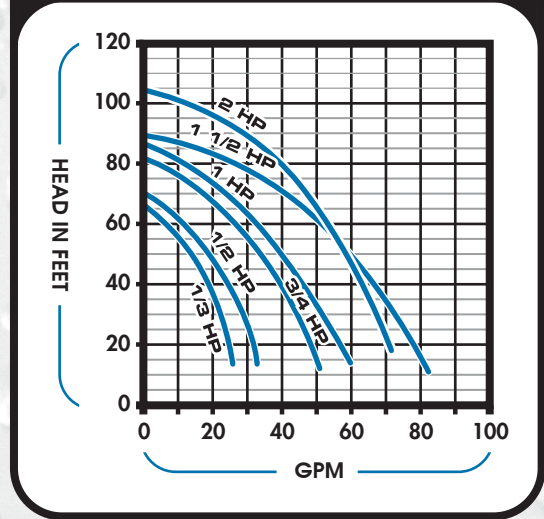
SERVICING ACCESSIBILITY

- SIMPLY REMOVE MOTOR WITHOUT DISTURBING PLUMBING TO REPLACE IMPELLER, SEAL OR GASKET

PERFORMANCE CURVES
3450 RPM 60 CYCLE



PERFORMANCE CURVES
2850 RPM 50 CYCLE

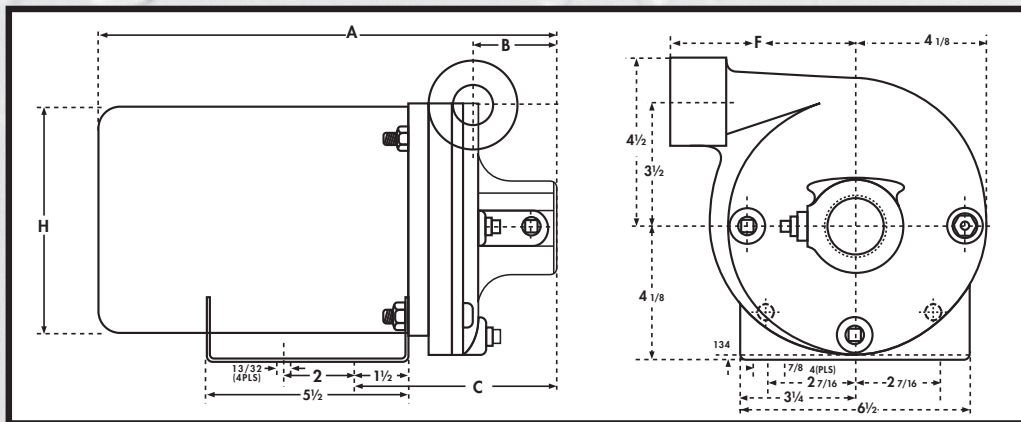


NOTE: 4 Position Discharge - Vertical or Horizontal.
Air Volume Control Tapping - Optional Suction Side of Pump

MODEL NO.	HP	VOLTAGE & PHASE	PORTS		PUMP DIMENSIONS Inches					PACKING DIMENSIONS	WEIGHT
			Suc.	Dis.	A	B	C	F	H	Inches	Lbs
EC-031	1/3	115/230/1	1.25"	1.00"	15.10	2.35	6.10	4.35	5.60	15.5 x 8.5 x 10"	31
EC-051	1/2	115/230/1	1.25"	1.00"	15.10	2.35	6.10	4.35	5.60	15.5 x 8.5 x 10"	32
EC-071	3/4	115/230/1	1.25"	1.00"	15.80	2.35	6.10	4.35	5.60	16.5 x 9.5 x 10"	34
EC-101	1	115/230/1	1.25"	1.00"	16.20	2.35	6.10	4.35	5.60	16.5 x 9.5 x 10"	37
EC-151	1 1/2	115/230/1	1.25"	1.00"	16.80	2.35	6.10	4.35	5.60	16.5 x 9.5 x 10"	41
EC-201	2	230/1	1.50"	1.25"	18.00	2.90	6.75	4.70	6.30	18.25 x 9.5 x 10"	52
EC-251	2 1/2	230/1	2.00"	1.50"	18.00	2.90	6.75	4.70	6.30	18.25 x 9.5 x 10"	52
EC-301	3	230/1	2.00"	1.50"	18.00	2.90	6.75	4.70	6.30	18.25 x 9.5 x 10"	52

Other voltages are available, please specify

Available in Bronze Fitted



DISTRIBUTED BY: